



# THE Söta Touch™



## 性能表现

利用TurboChef的专利技术,在不影响质量的情况下快速烹饪食物, Söta提供卓越的烹饪性能,同时需要更少的空间和消耗更少的能源。

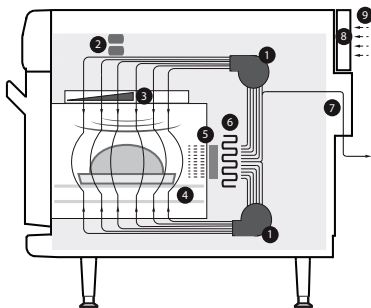
## 排烟

符合UL 710B (KNLZ) 所列得无言操作。

EPA 202 测试 (8个小时时长):

- 产品: 香肠披萨
- 结果: 0.64 mg/m<sup>3</sup>
- 无烟罩需求: <5.00 mg/m<sup>3</sup>

内部催化过滤,以限制烟雾、油脂和气味的排放。



- |                |             |
|----------------|-------------|
| 1. 风机马达        | 2. 微波系统     |
| 3. 顶部热风和微波搅拌扇叶 |             |
| 4. 底部热风系统      | 5. 内置油烟催化器  |
| 6. 热风喷射加热器     | 7. 出风口油烟催化器 |
| 8. 空气滤网        | 9. 冷空气进气口   |

Project \_\_\_\_\_

Item No. \_\_\_\_\_

Quantity \_\_\_\_\_

## 外部结构

- 喷砂涂层,耐腐蚀钢材得机器和门外壳
- 一体成型的铸铝前面板,带有哑光镀铬色
- 调所有表面低于50°C
- 符合人体工程学的哑光镀铬门把手
- 4英寸镀镍支腿
- 7英寸电容触摸屏,钢化玻璃保护面板

## 内部结构

- 201/304 不锈钢
- 全焊接绝缘烹调室
- 可拆卸支架和下部喷射板

## 产品特性

- 简单易用的触摸控制操作
- 用于垂直循环空气冲击的独立控制双电机
- 顶置式微波发射系统
- 搅拌器有助于确保空气和微波的均匀分布
- 用于UL 710B (KNLZ) 所列无通风操作的整体循环催化转化器
- 外部空气过滤
- 排放催化剂以进一步限制排放和气味
- LED计时器倒数最后30秒的烹饪时间
- 智能菜单系统,最多可储存256个菜谱
- 兼容有线网络和WIFI
- 通过USB进行闪存固件更新
- 单,双温度接口可选
- 可现场对单相和三相进行接线配置(需要服务调用)
- 监测烤箱部件和性能的自诊断
- 智能电压传感器技术\*(仅限美国)
- 可堆叠(需要堆叠架)
- 包括插头和电线(标称6ft.)
- 保修-1年零件和人工

## 随机标准配件包

- 1 瓶烤箱清洁剂 (103180)
- 1 瓶烤箱防护剂 (103181)
- 2 个喷壶 (103182)
- 2 个铝盘 (i1-9496)
- 1 个铝铲 (NGC-1478)



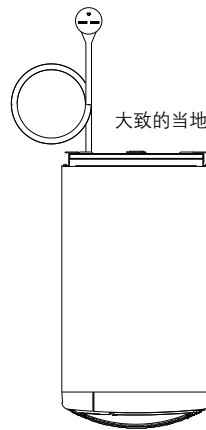
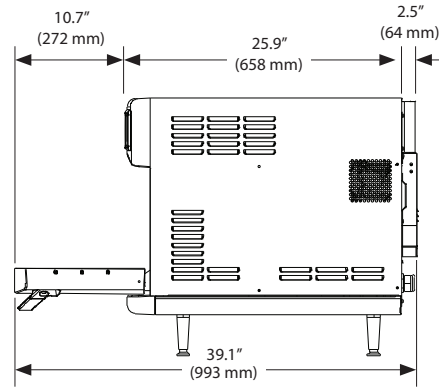
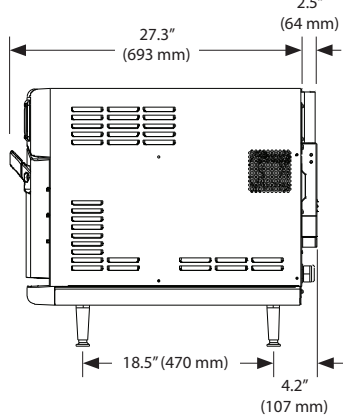
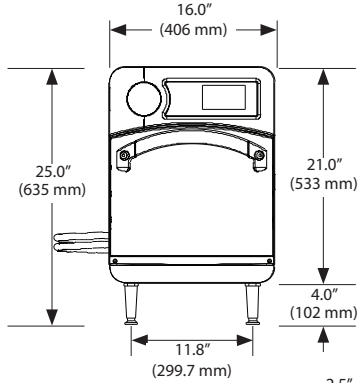
This product conforms to the ventilation recommendations set forth by NFPA96 using EPA202 test method.

\* Smart Voltage Sensor Technology does not compensate for lack of or over voltage situations. It is the responsibility of the owner to supply voltage to the unit according to the specifications on the back of this sheet.

† Ventless certification is for all food items except for foods classified as "fatty raw proteins." Such foods include bone-in, skin-on chicken, raw hamburger meat, raw bacon, raw sausage, steaks, etc. If cooking these types of foods, consult local HVAC codes and authorities to ensure compliance with ventilation requirements.

Ultimate ventless allowance is dependent upon AHJ approval, as some jurisdictions may not recognize the UL certification or application. If you have questions regarding ventless certifications or local codes, please email ventless.help@turbochef.com

TurboChef reserves the right to make substitutions of components or change specifications without prior notice.



大致的当地插头类型:

- US, CAN, LA (NEMA 6-30P)
- US, CAN – SINGLE MAG (NEMA 6-20P)
- UK, BK (IEC 309, 3-pin)
- UK – SINGLE MAG 13 A (BS1363)
- EU – SINGLE MAG 16 A (CEE7/7)
- JK (NEMA L6-50, PSE, 3-blade)
- JD (NEMA L6-50, PSE, 4-blade)
- ED, BD, SD (IEC 309, 4-pin)
- EW, KW (IEC 309, 5-pin)
- AU (Clipsal, 5-pin)

设备尺寸		
Single Units		
Height	25.0"	635 mm
Width	16.0"	406 mm
Depth	29.8"	757 mm
Weight: Standard / Single Mag	170 lb. / 135 lb.	77.1 kg / 61 kg
Cook Chamber		
Height	7.2"	183 mm
Width	12.5"	317 mm
Depth	10.5"	266 mm
Volume	0.54 cu.ft.	15.4 liters
Wall Clearance (Oven not intended for built-in installation)		
Top	5"	102 mm
Sides	1"	25 mm
运输条件		
美国: 所有在美国境内装运的烤箱都是用双层瓦楞纸箱包装的, 纸箱用木条捆扎成。		
国际: 所有空运或少于集装箱的国际烤箱都用木箱包装。		
Box size: 37" x 24" x 37" (940 mm x 610 mm x 940 mm)		
Crate size: 38" x 26" x 38" (965 mm x 660 mm x 965 mm)		
Item class: 110 NMFC #26710 HS code 8419.81		
Approximate boxed weight (standard/single mag): 205 lb. (93 kg) / 170 lb. (77.1 kg)		
Approximate crated weight (standard/single mag): 275 lb. (125 kg) / 240 lb. (109 kg)		
Minimum entry clearance required for box: 24.5" (622 mm)		
Minimum entry clearance required for crate: 26.5" (673 mm)		

电气参数		
SINGLE PHASE		
US/Canada	i1-9500-400	208/240 VAC, 60 Hz, 30 amps Max Input: 6.2 kW, MW: 3.2 kW, HTR: 6.0 kW
US/Canada – Single Mag 20 A	i1-9500-435	208/240 VAC, 60 Hz, 20 amps Max Input: 4.2/4.8 kW, MW: 1.9 kW, HTR: 4.0/4.2 kW
Europe (UK)	i1-9500-401-UK	230 VAC, 50 Hz, 27 amps Max Input: 6.2 kW, MW: 3.2 kW, HTR: 6.0 kW
Europe (UK) – Single Mag 13 A	i1-9500-436-UK	230 VAC, 50 Hz, 13 amps Max Input: 3 kW, MW: 1.9 kW, HTR: 2.7 kW
Europe (EU) – Single Mag 16 A	i1-9500-437-UK	230 VAC, 50 Hz, 16 amps Max Input: 3.6 kW, MW: 1.9 kW, HTR: 2.7 kW
Brazil (BK)	i1-9500-405-BK	220 VAC, 60 Hz, 28 amps Max Input: 6.2 kW, MW: 3.2 kW, HTR: 6.0 kW
Latin America (LA)	i1-9500-406-LA	220 VAC, 60 Hz, 28 amps Max Input: 6.2 kW, MW: 3.2 kW, HTR: 6.0 kW
Japan (JK)	i1-9500-407-JK	200 VAC, 50 Hz, 30 amps Max Input: 6.2 kW, MW: 3.2 kW, HTR: 6.0 kW
Japan (JK)	i1-9500-409-JK	200 VAC, 60 Hz, 30 amps Max Input: 6.2 kW, MW: 3.2 kW, HTR: 6.0 kW
MULTIPHASE		
Europe Delta (ED)	i1-9500-402-ED	230 VAC, 50 Hz, 20 amps Max Input: 6.2 kW, MW: 3.2 kW, HTR: 6.0 kW
Europe Wye (EW)	i1-9500-403-EW	400 VAC, 50 Hz, 16 amps Max Input: 6.2 kW, MW: 3.2 kW, HTR: 6.0 kW
Australia Wye (AU)	i1-9500-404-AU	400 VAC, 50 Hz, 16 amps Max Input: 6.2 kW, MW: 3.2 kW, HTR: 6.0 kW
Japan Delta (JD)	i1-9500-408-JD	200 VAC, 50 Hz, 20 amps Max Input: 6.2 kW, MW: 3.2 kW, HTR: 6.0 kW
Japan Delta (JD)	i1-9500-410-JD	200 VAC, 60 Hz, 20 amps Max Input: 6.2 kW, MW: 3.2 kW, HTR: 6.0 kW
Korea/Middle East Wye (KW)	i1-9500-411-KW	400 VAC, 60 Hz, 16 amps Max Input: 6.2 kW, MW: 3.2 kW, HTR: 6.0 kW
Korea/Middle East Delta (SD)	i1-9500-412-SD	230 VAC, 60 Hz, 20 amps Max Input: 6.2 kW, MW: 3.2 kW, HTR: 6.0 kW

**TurboChef Global Operations**  
 2801 Trade Center Drive | Carrollton, Texas 75007 USA  
 US: 800.90TURBO (800.908.8726) | International: +1 214.379.6000  
 Fax: +1 214.379.6073 | www.turbochef.com

TurboChef 电路需选用D型漏电保护器!